


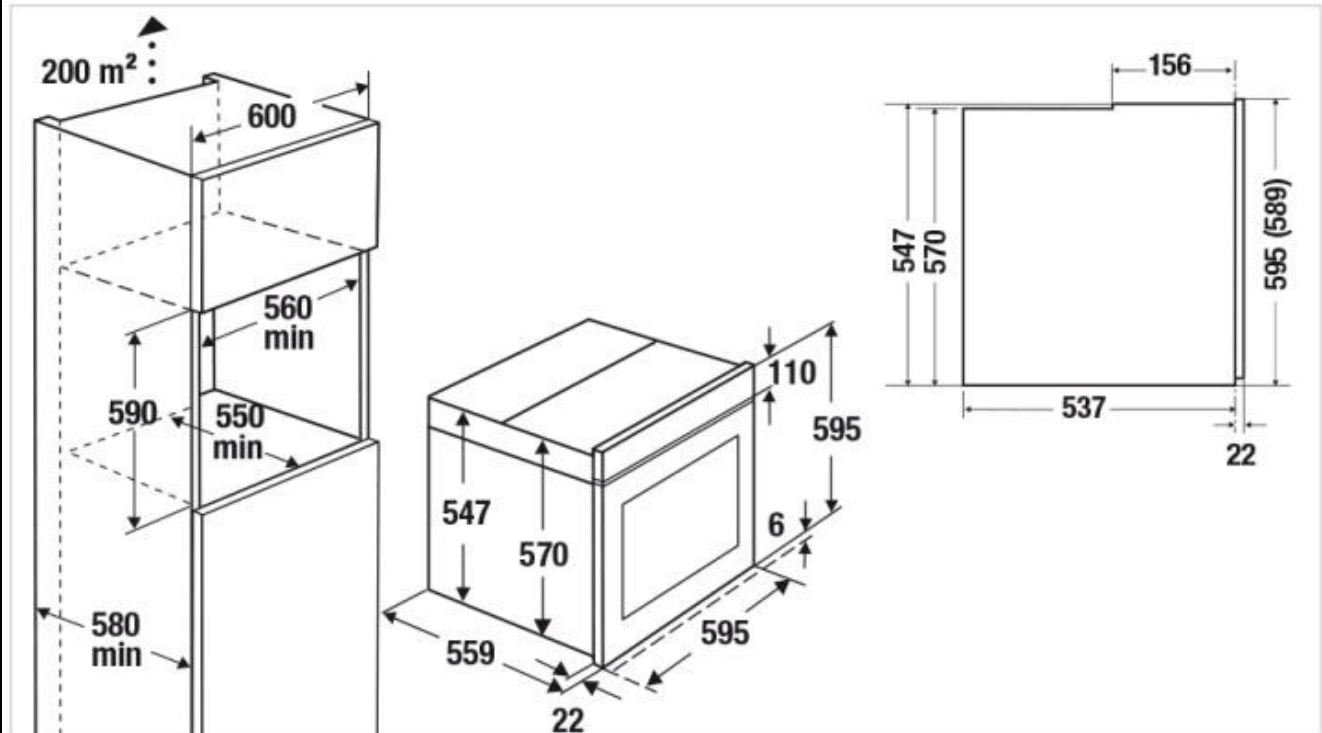
## SPECIFICATION SHEET - kitchen appliances

<b>BRAND:</b>	Küppersbusch <small>FÜR KÜCHEN MIT STIL</small>	<b>Product Photo:</b> 
<b>ORIGIN:</b>	Germany	
<b>SERIES:</b>	<b>Profession +</b>	
<b>PRODUCT DESCRIPTION:</b>	<b>Built-in electric oven, with:</b> <ul style="list-style-type: none"> <li>- electronic touch control with red text display</li> <li>- Pyrolytic cleaning function</li> <li>- full glass front with door contact switch</li> <li>- 14 oven functions</li> <li>- 8 baking &amp; roasting programme</li> </ul>	
<b>MODEL No.</b>	BP 6550	
<b>FINISH/COLOUR:</b>	Black glass stainless steel look	
<b>DIMENSIONS:</b>	Overall: 595 W x 595 H x 559 D mm Opening: 560 W x 590 H x 580 D mm	
<b>OPTIONAL MATCHING PARTS:</b>		

**Technical Informations:**

**voltage/frequency :** 220V/50-60Hz

**total power :** 3.6kW



**Minimum 200mm<sup>2</sup> at the back must be provided for ventilation.**

<b>REMINDER:</b>	Do not use abrasive or aggressive cleaners and or contain chlorine or hydrochloric acid solution for cleaning.
	Sufficient ventilation must be provided for oven, microwave, steamer & hobs according to requirement.
	All information stated above are solely for reference only, and should be based on the actual submission sample. Dimensions and specifications are subject to change without prior notice.